

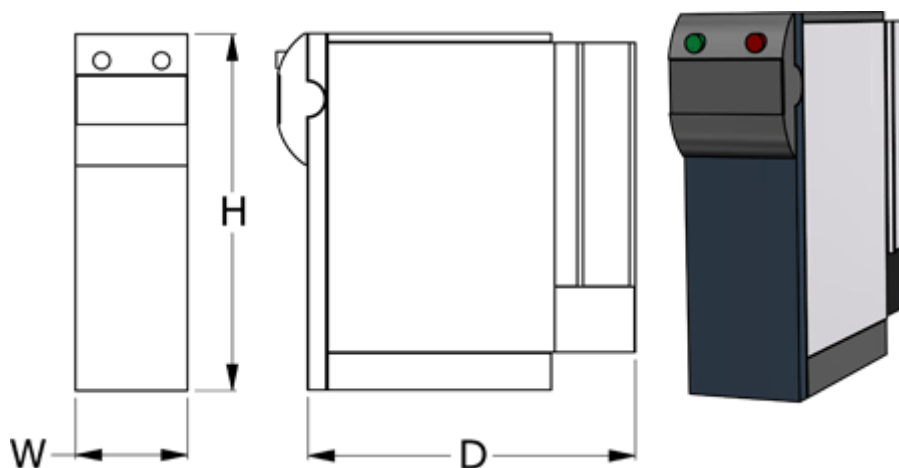
Data Sheet



Article number: 1080201031000

Description: Servocontroller ACU201-03-FA
0,37 kW 2,5A 1x230V IP20

Measures



D = 175
H = 190
W = 60
Weight = 1.2